

Communications & Power Industries Coaxial Magnetron



The VMC3015 is a coaxial magnetron delivering high peak and average RF power for use in various radar transmitters.

The VMC3015 will mount directly into new and existing sockets and can be operated under various pulse and input conditions to accommodate wide ranging operating requirements. In addition to high power, the VMC3015 provides excellent frequency stability, low jitter and long life.

FEATURES:

- Frequency 5.410 – 5.825 GHz
- Peak Power Output 500 kW
- Duty Cycle 0.001
- Air cooled
- Mechanically tunable

BENEFITS:

- >40,000 hours life
- Exceptional frequency stability

APPLICATIONS:

- Weather radars

CPI C-Band 500 kW Coaxial Magnetron: VMC3015

Electrical Specifications

Frequency	5.41 -5.825 GHz
Peak power output	500 kW
Average power output	500 kW
Pulse voltage	26.7 – 27.7 kV
Peak anode current	33.0 A
Average anode current	33.0 mA
Pulse width	3.5 μ S
Duty cycle	0.001
Maximum filament voltage	10.5 V
Maximum filament current	13 A
Minimum warm-up time	300 S
Maximum load VSWR	1.5:1

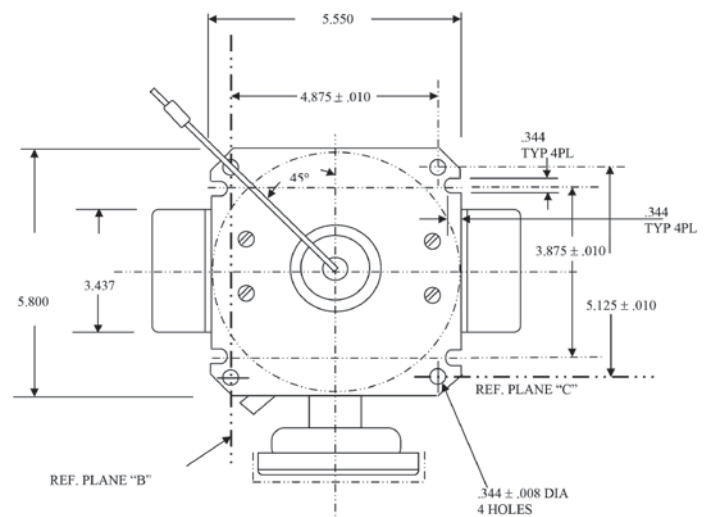
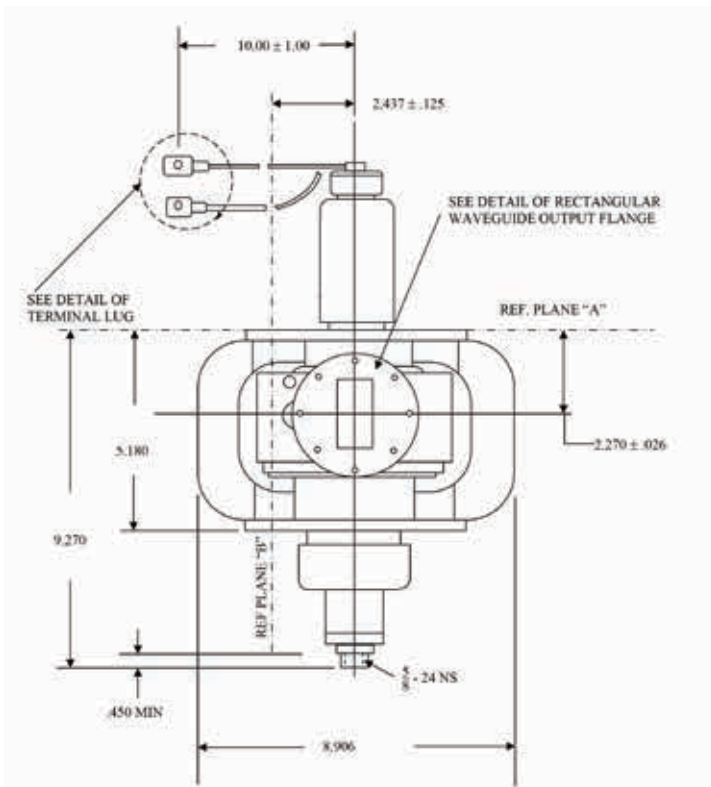
Mechanical and Environmental Specifications

Cooling	Forced air
Maximum body temperature	120°C
Mounting position	Any
Support	Mounting flange
Coupling	WR 187 mates with UG148B/U choke flange
Tuning	16 turns
Weight	36 lbs. (16.33 kg)

*Electrical specifications are typical. Other operating conditions are obtainable.

With a history of producing high quality products, we can help your with magnetron.

Contact us at BMDMarketing@cpii.com or call us at +1 978-922-6000.



Beverly Microwave Division
150 Sohier Road
Beverly, Massachusetts
USA 01915

tel +1 978-922-6000
email BMDMarketing@cpii.com
fax +1 978-922-8914
web www.cpii.com

For more detailed information, please refer to the corresponding CPI technical description if one has been published, or contact CPI. Specifications may change without notice as a result of additional data or product refinement. Please contact CPI before using this information for system design.

©2020 Communications & Power Industries LLC. Company proprietary; use and reproduction is strictly prohibited without written authorization from CPI.